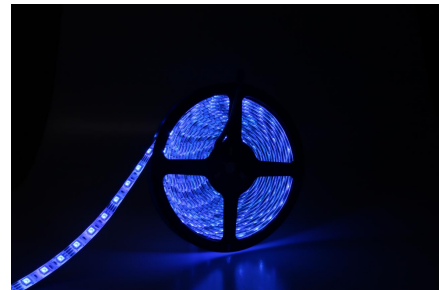
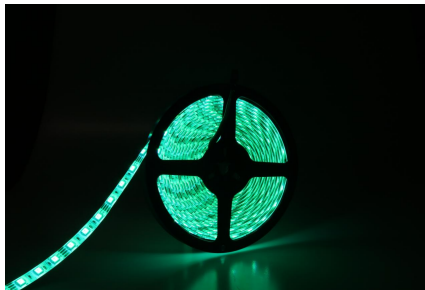
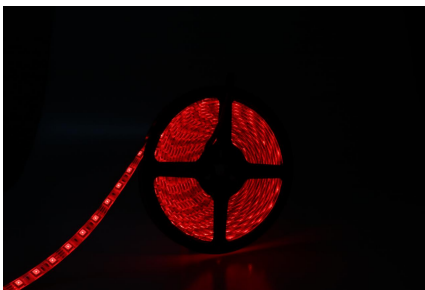


# SPECIFICATION

## PHOTO:



## PRODUCT DESCRIPTIONS

1. Adopt high brightness LEDs as light source with low light decay.
2. High density and flexibility with good heat dissipation.
3. 2 OZ FPC, original high quality tape
4. Easy to install and preserve, can be bent freely, with 3M tape on the backside
5. High color efficiency, uniform illumination with wide view beam angle
6. Low voltage (DC12V, DC24V) for human safety, various colors available.

## DETAILS:

MODEL : W5050RGB-60D

SIZE: 10MM PCB WIDTH

POWER: 10W/M

INPUT VOLTAGE : DC12V

CCT: RGB

POWER FACTOR: >0.5

IP RATING : IP65



CRI: Ra>80

LIFESPAN: 15000hrs

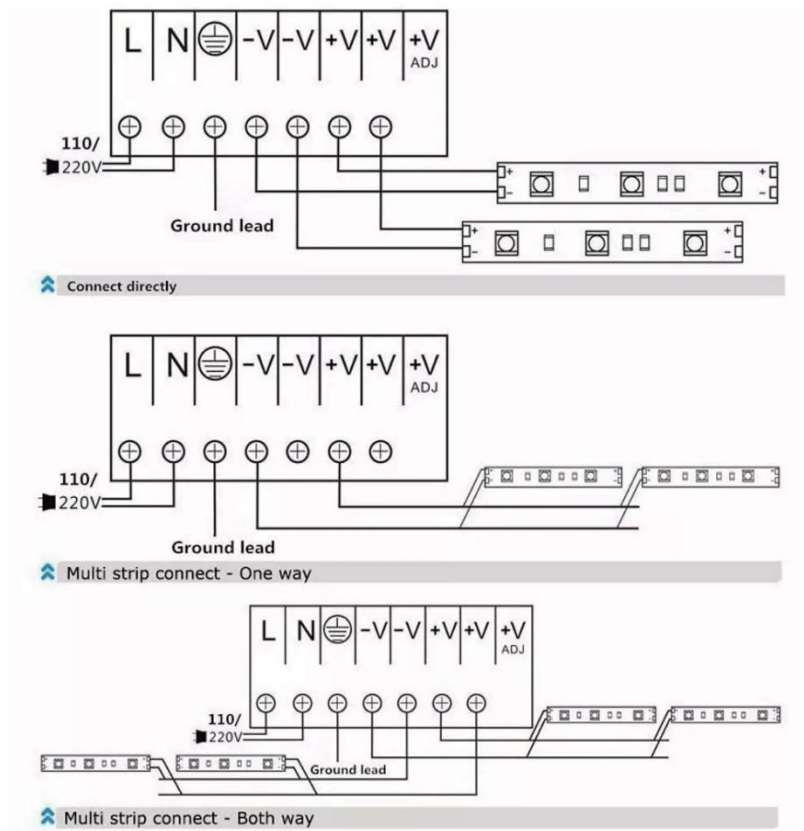
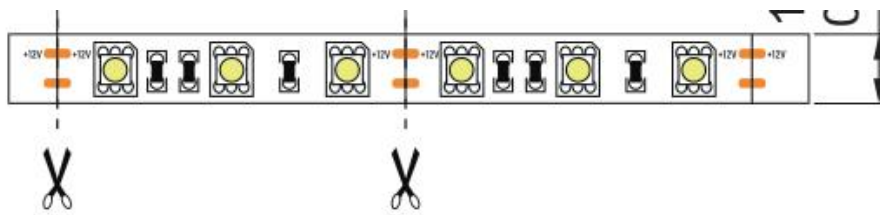
LIGHT SOURCE : LED 5050 SMD - 60 LEDs

MATERIAL : COPPER PCB + LEDs

PACKAGE: 5M/ROLL/COLOR BOX

WARRANTY : 1 YEAR WARRANTY

## CONNECT METHOD :



## APPLICATION:

IN DOOR LIGHTING ONLY , HOME DECARATION , BEDROOM, ETC.